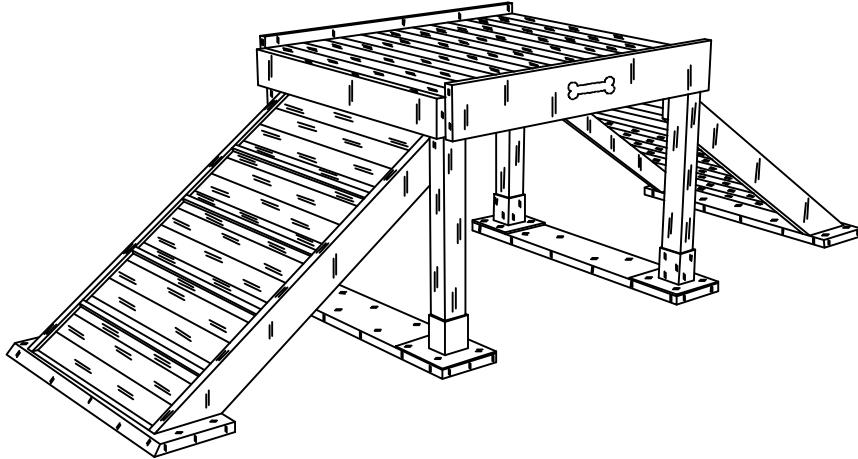




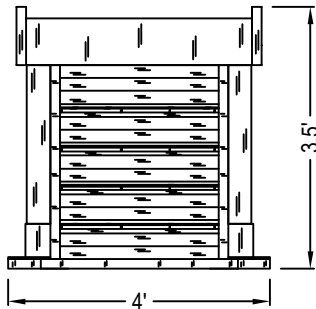
# GYMS FOR DOGS™

Natural Dog Park Products

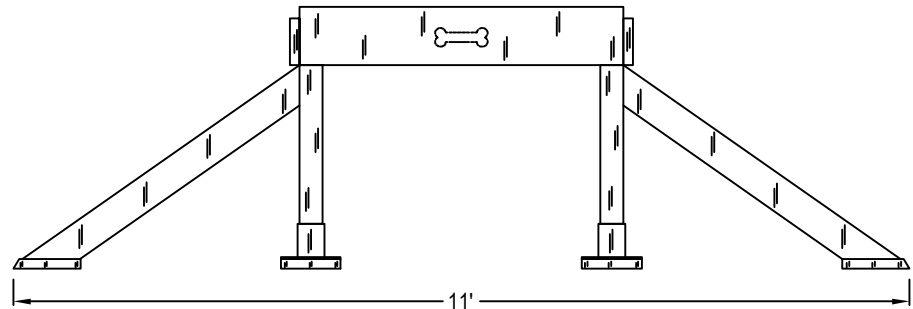
GYMS FOR DOGS™  
 3815 RIVER CROSSING PKWY SUITE 100  
 INDIANAPOLIS, IN 46240  
 PHONE: (800) 931-1562  
 FAX: (800) 931-6152  
 www.livinthedoglife.com



PERSPECTIVE



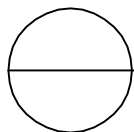
FRONT VIEW



SIDE VIEW

NOTES:

1. SAFE ZONE: PLACE EITHER NATURAL MULCH OR WOOD CHIPS OR TRAIL MIX AS A SURROUNDING SURFACE FOR THE PLAY EQUIPMENT. IT IS RECOMMENDED A SAFE ZONE OF 3' ON THE SIDES AND 4-5' IN FRONT AND BACK OF PRODUCTS. DO NOT USE RUBBER MULCH OR ANY RUBBER PRODUCTS, THEY ARE UNSAFE FOR PETS.
2. MAKE SURE THE CLIMBING AND WALKING PRODUCTS WITH RAMPS, PLATFORMS AND WALKING SURFACES (HILL CLIMB(S), BRIDGE CLUB, BALANCE BEAM) ARE IN THE SHADE. IT IS IMPORTANT THESE PRODUCTS ARE PLACED IN A SHADY ENVIRONMENT DURING SUMMER MONTHS OR ANY MONTH WHEN THE TEMPERATURES MAY REACH 70° OR HIGHER. DO NOT PUT RAMPS, PLATFORMS, WALKING BEAMS IN DIRECT SUNLIGHT.
3. INSTALLATION TO BE COMPLETED IN ACCORDANCE WITH MANUFACTURER'S SPECIFICATIONS.
4. DO NOT SCALE DRAWING.
5. THIS DRAWING IS INTENDED FOR USE BY ARCHITECTS, ENGINEERS, CONTRACTORS, CONSULTANTS AND DESIGN PROFESSIONALS FOR PLANNING PURPOSES ONLY. THIS DRAWING MAY NOT BE USED FOR CONSTRUCTION.
6. ALL INFORMATION CONTAINED HEREIN WAS CURRENT AT THE TIME OF DEVELOPMENT BUT MUST BE REVIEWED AND APPROVED BY THE PRODUCT MANUFACTURER TO BE CONSIDERED ACCURATE.
7. CONTRACTOR'S NOTE: FOR PRODUCT AND COMPANY INFORMATION VISIT [www.CADdetails.com/info](http://www.CADdetails.com/info) AND ENTER REFERENCE NUMBER 5017-061.



**GARDEN DOG™ - NATURAL WOOD**

GYMS FOR DOGS™ NATURAL WOOD: GARDEN DOG™ BRIDGE CLIMB