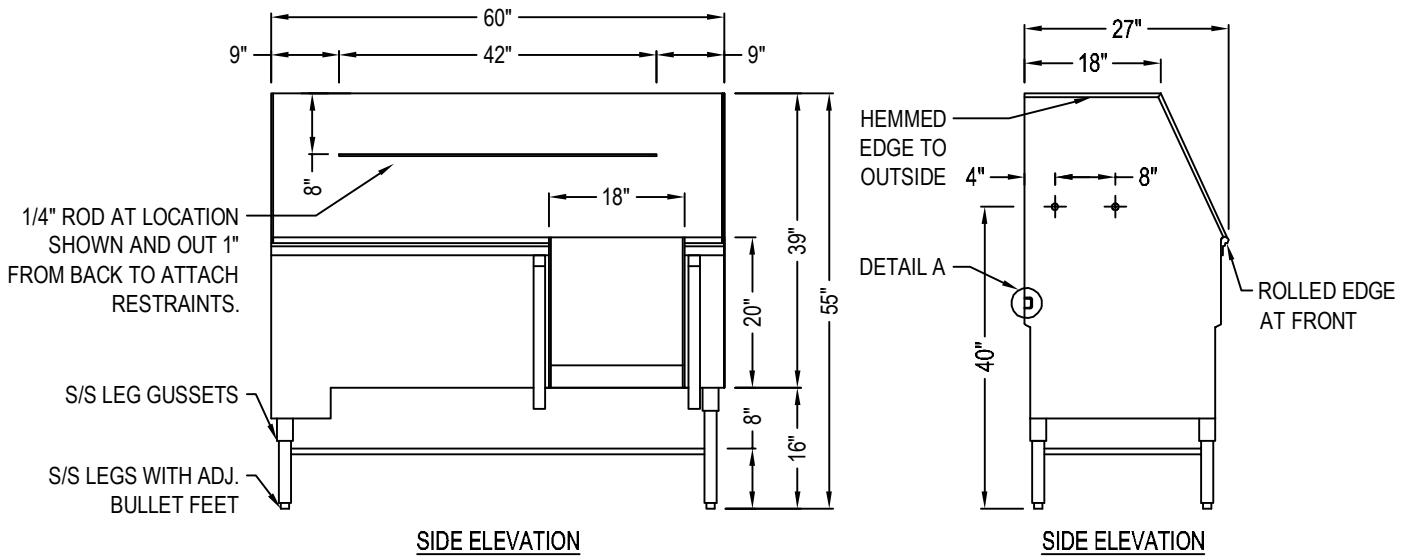
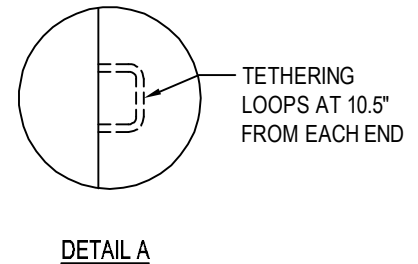
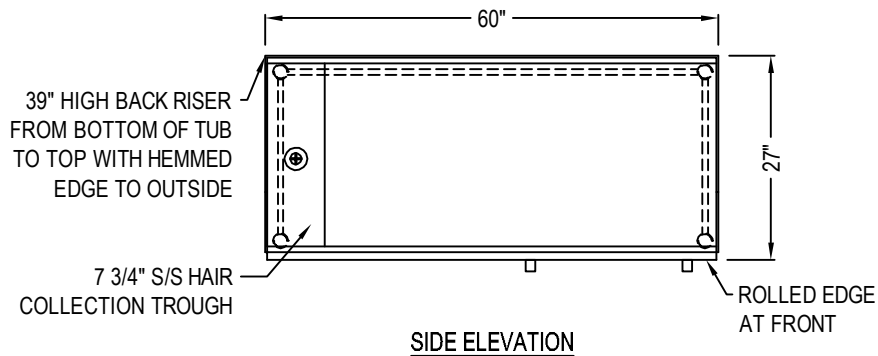


LIVIN THE DOG LIFE™

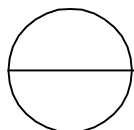
DOG PARK PRODUCTS & DESIGNS

LIVIN THE DOG LIFE
 3815 RIVER CROSSING PKWY SUITE 100
 INDIANAPOLIS, IN 46240
 PHONE: (800) 931-1562
 FAX: (800) 931-6152
 www.livinthedoglife.com



NOTES:

1. INSTALLATION TO BE COMPLETED IN ACCORDANCE WITH MANUFACTURER'S SPECIFICATIONS.
2. DO NOT SCALE DRAWING.
3. THIS DRAWING IS INTENDED FOR USE BY ARCHITECTS, ENGINEERS, CONTRACTORS, CONSULTANTS AND DESIGN PROFESSIONALS FOR PLANNING PURPOSES ONLY. THIS DRAWING MAY NOT BE USED FOR CONSTRUCTION.
4. ALL INFORMATION CONTAINED HEREIN WAS CURRENT AT THE TIME OF DEVELOPMENT BUT MUST BE REVIEWED AND APPROVED BY THE PRODUCT MANUFACTURER TO BE CONSIDERED ACCURATE.
5. CONTRACTOR'S NOTE: FOR PRODUCT AND COMPANY INFORMATION VISIT www.CADdetails.com/info AND ENTER REFERENCE NUMBER 5017-022.



DOGGIE WASH TUB - PRO SERIES

DOGGIE WASH TUB™ - PRO STANDARD 60 - STAINLESS STEEL DOG WASH TUB 60" W/ STEP UP DOOR AND STOOL